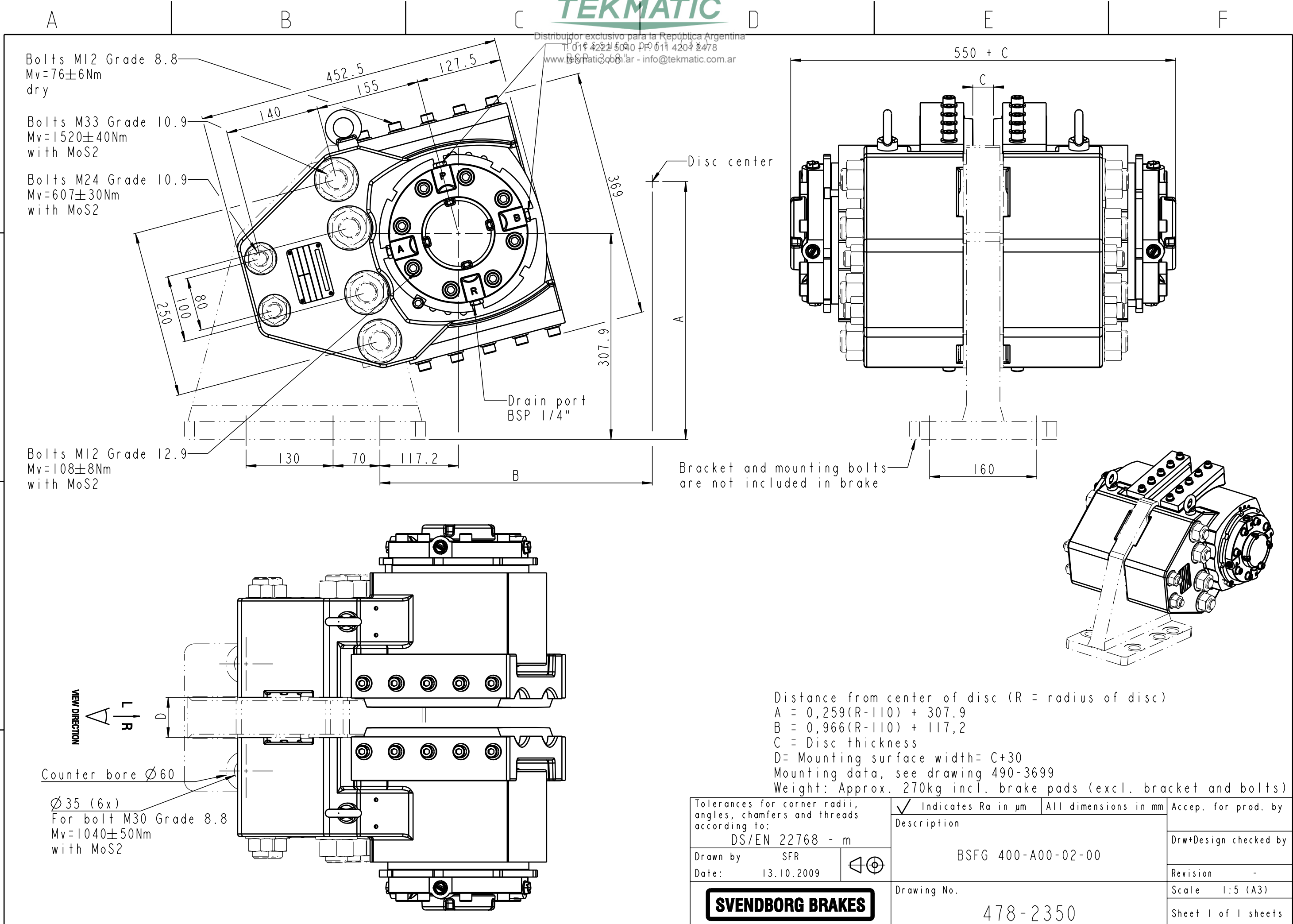


Distribuidor exclusivo para la República Argentina
 T: 011 4222 5040 P: 011 4203 2478
 www.tekmatic.com.ar - info@tekmatic.com.ar

This drawing / document remains the property of Svendborg Brakes A/S and must not be copied without our prior written permission, and the contents thereof must not be disclosed to any third party, nor be used for any unauthorized purpose. Legal action will be taken in the event of contravention.

Denmark: Jernbanevej 9, 5882 Vejstrup, Denmark
 Germany: Kirchnerstrasse 42, D-32257 Bünde, Germany



Tolerances for corner radii, angles, chamfers and threads according to: DS/EN 22768 - m		✓ Indicates Ra in μm	All dimensions in mm	Accep. for prod. by
Drawn by: SFR	Date: 13.10.2009	Description: BSGF 400-A00-02-00		Drw+Design checked by
		Drawing No. 478-2350		Revision: -
SVENDBORG BRAKES				Scale: 1:5 (A3)
				Sheet 1 of 1 sheets

Svendborg Brakes A/S reserves the right to revise this document without prior notification or obligation

CONFIDENTIAL

CHECKED by SYSTEM 12-04-2010 RELEASED by sfr